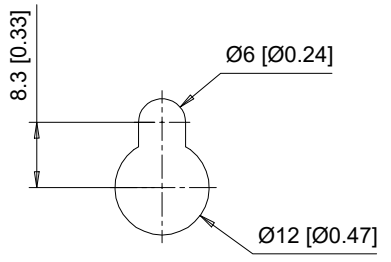
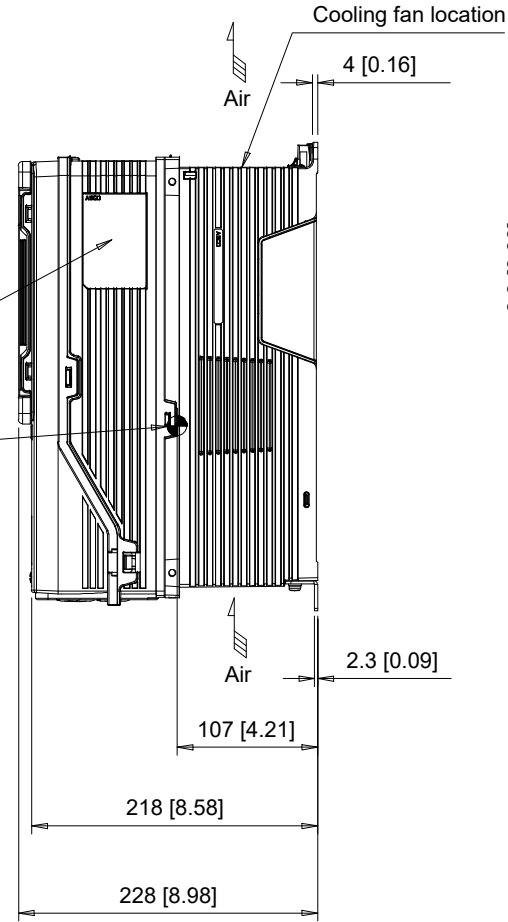
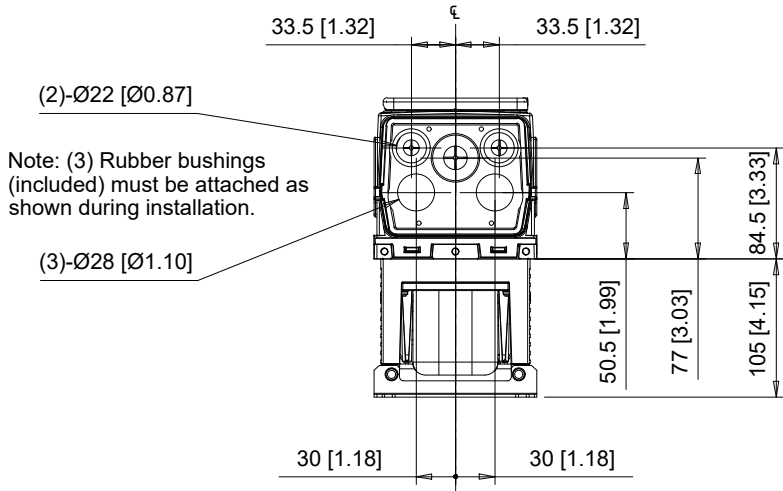


(4) Mounting Holes for M5 [#10] Screws. See Detail A for top mounting hole dimensions.

Center of Gravity  
Note: Dimensions shown are measured from the bottom left mounting hole



**Detail A**  
Top mounting hole dimensions  
Scale 1:1



Note: (3) Rubber bushings (included) must be attached as shown during installation.

C/C: FP65□	INPUT VOLTAGE 3-PHASE (VAC)	WEIGHT Kg (lb)		COOLING FANS
		STANDARD	WITH EMC FILTER	
2011□□□	200 TO 240	6.0 (13.2)	6.5 (14.3)	1
2017□□□		6.0 (13.2)	6.5 (14.3)	1
4005□□□	380 TO 480	6.5 (14.3)	7.0 (15.4)	0
4008□□□		6.5 (14.3)	7.0 (15.4)	1
4011□□□		6.5 (14.3)	7.0 (15.4)	1
4014□□□		6.5 (14.3)	7.0 (15.4)	1

□ denotes A-Z

**YASKAWA**

UNITS MM [IN]  
SCALE 1:6

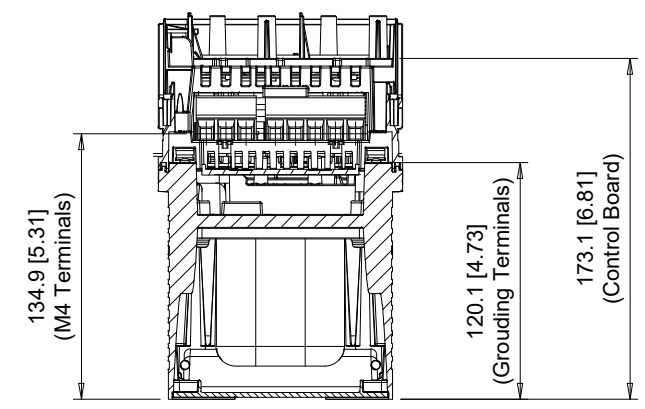
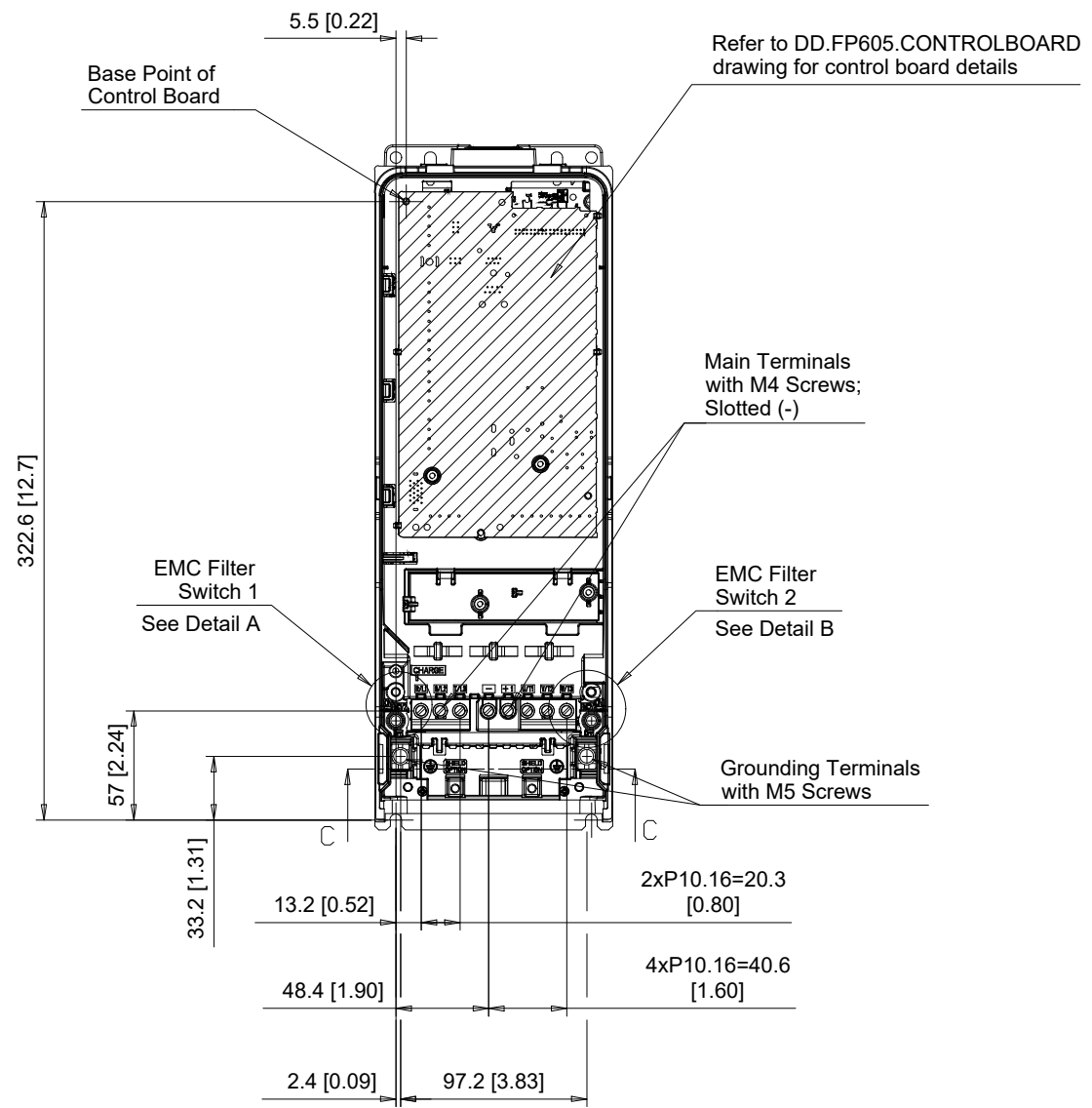
DRWN. J. MATTAS 3-28-22  
CHKD. J. PIOTROWSKI 3-30-22  
TECH. L. UDDIN 4-3-22  
APRV. J. CAIRO 4-21-22

TITLE  
FP605 DIMENSION DRAWING  
FRAME SIZE 1  
IP55/UL TYPE 12 ENCLOSURE

SIZE A PAGE 1 OF 3  
DWG.NO. DD.FP605.FR1.T12

REV 0

A B C D E F G H I J



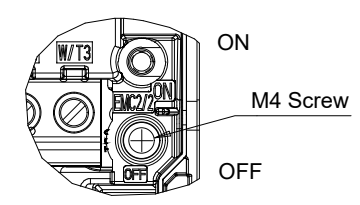
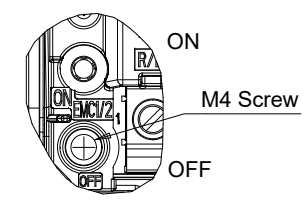
Section C-C

**EMC FILTER SWITCHES**

Note: EMC filter switches enabled only on models with built-in EMC filter

**EMC SW1**

**EMC SW2**



Detail A  
Scale 1:2

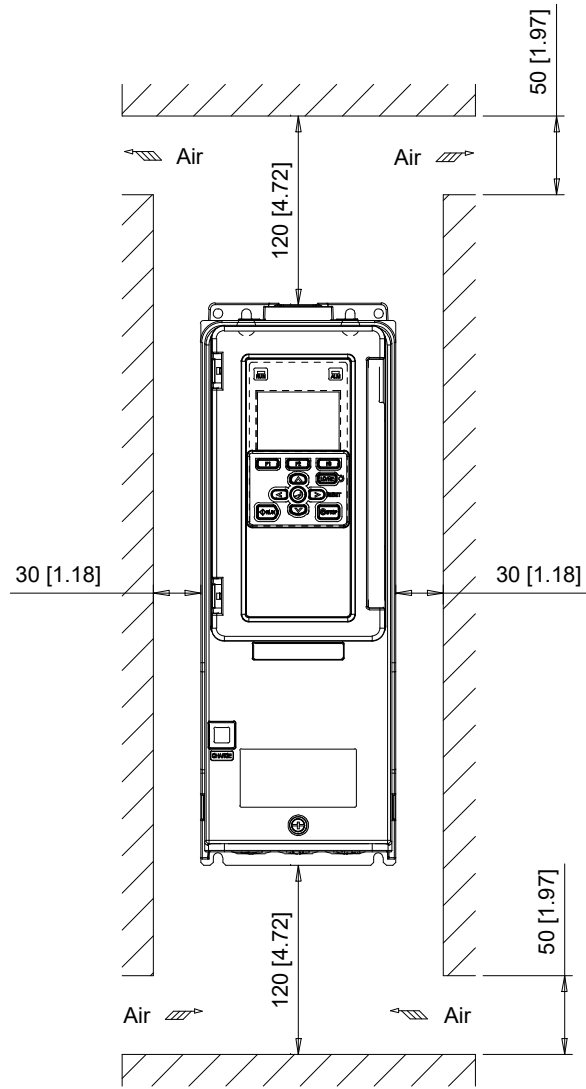
Detail B  
Scale 1:2

C/C: FP65□	TERMINAL SYMBOL	WIRE RANGE AWG (mm <sup>2</sup> )	TERMINAL SCREW	CLAMPING TORQUE N.m. (lb.in.)
2011□□□	R/L1, S/L2, T/L3	14 - 6 (2.5 - 16)	M4	1.7 (15)
2017□□□	U/T1, V/T2, W/T3	14 - 6 (2.5 - 16)	M4	1.7 (15)
4005□□□	-, +1	14 - 6 (2.5 - 16)	M4	1.7 (15)
4008□□□	⊕	14 - 8 (2.5 - 10)	M5	2.0 - 2.5 (18 - 22)
4011□□□				
4014□□□				

□ Denotes A-Z

Note: Refer to applicable codes and standards for proper wire type and size.

Minimum Installation Clearances



Note:  
For alternate mounting configurations, consult manual.

**YASKAWA**

UNITS	MM [IN]
SCALE	1:5

DRWN.	J. MATTAS	3-28-22
CHKD.	J. PIOTROWSKI	3-30-22
TECH.	L. UDDIN	4-3-22
APRV.	J. CAIRO	4-21-22

TITLE	FP605 DIMENSION DRAWING FRAME SIZE 1 IP55/UL TYPE 12 ENCLOSURE
-------	--

SIZE	A	PAGE	3 OF 3
DWG.NO.	DD.FP605.FR1.T12		

REV	0
-----	---